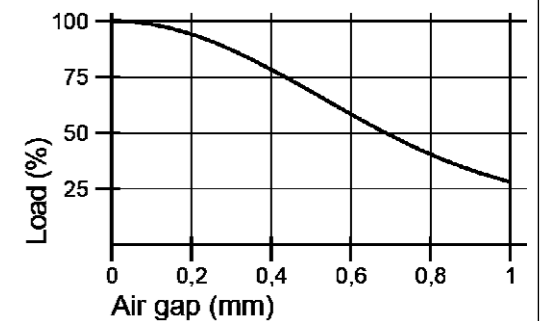
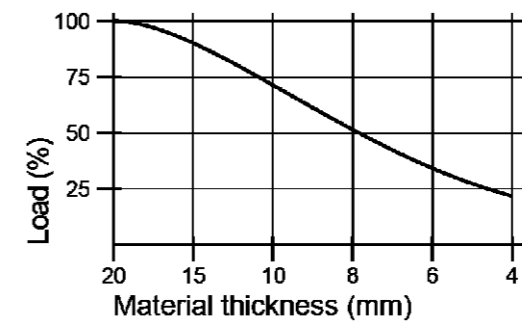
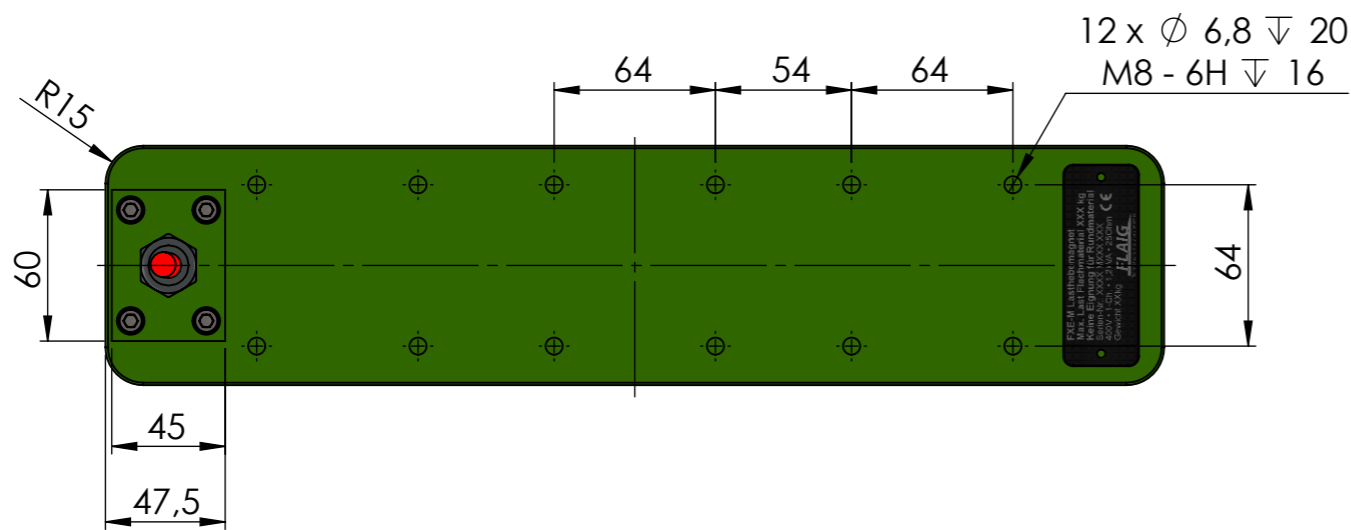
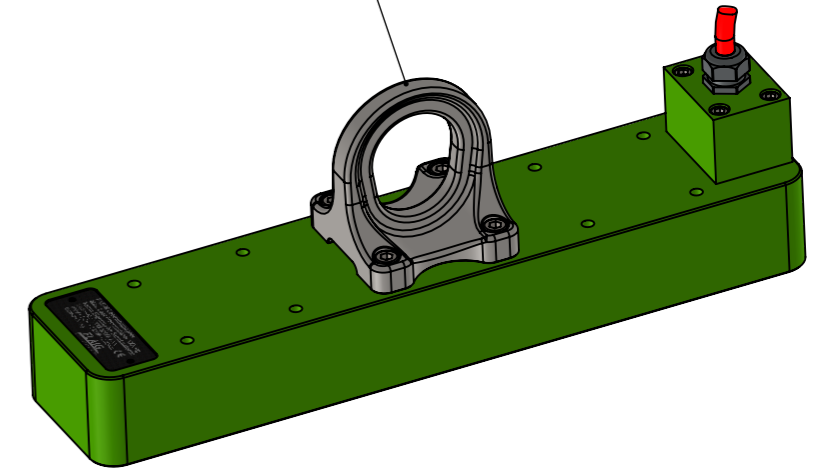


Crane lifting eye optional
Article number: 911010605



Specification FXE-M 600-50		Schutzvermerk nach DIN ISO 16016 beachten! Nachdruck nur mit unserer Genehmigung!				tolerance	material:	weight: 16.00
Nominative Force: 22,8KN	lifting capacity EN 13155/WLL	All rights reserved according to DIN ISO 16016! Reprint with our permission only!		ISO 7168 M	drawing no.:	0012825		
Materialthickness >15mm (100%)	600kg	date	name	description:	FXE M 600-50			
1,8kVA		drawn 29.01.2021	MF	part no.:	10610601			sheet 1 / 1
U: 380-480V Pulse	Protection Type IP 65	edit 11.05.2022		scale: 1:3	10610601			A3
R: 15,5Ω	Protection category SK I	appr. 11.05.2022	TW	Status: Freigegeben				
		 www.flaign-te.de						
rev.	change	date	name					